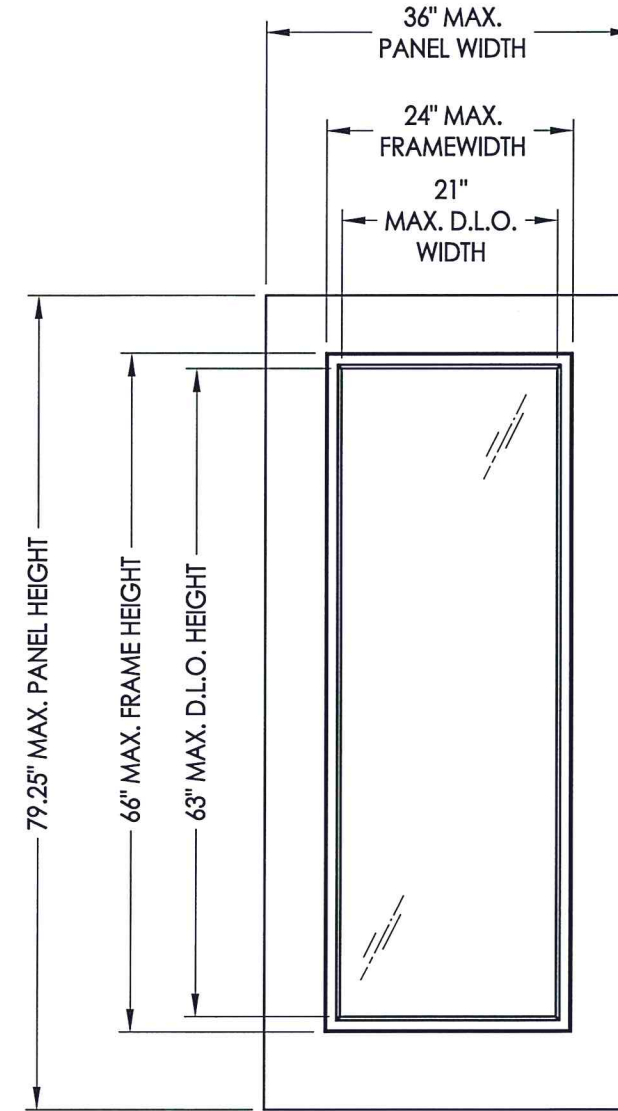




215 EAST ROOSEVELT AVE.  
ZEELAND, MI 49464

**ODL / WESTERN REFLECTIONS**  
**"ZEEL" Clip Assembled Lite Frame System**  
**DOORGLASS ASSEMBLY**  
**FOR GLAZING UP TO A 3'0 x 6'8" SINGLE PANEL**  
**"NON-IMPACT"**



**GENERAL NOTES**

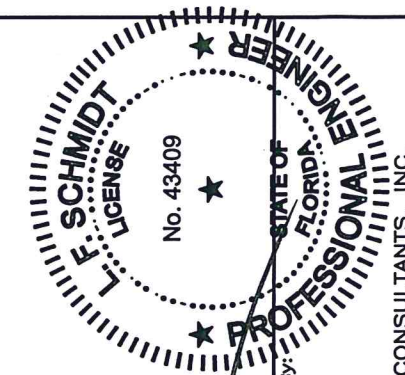
1. This product has been evaluated and is in compliance with the 7th Edition (2020) Florida Building Code (FBC) structural requirements including the High Velocity Hurricane Zone (HVHZ).
2. When used in the "HVHZ", this product is required to be protected with an impact resistant covering that complies with Section 1626 of the FBC.
3. This product is approved for use as a substitute doorglass assembly in conjunction with a glazed steel or fiberglass side hinged swing door and/or fixed sidelite possessing a comparable current Florida Statewide product approval.
4. The design pressure (DP) rating shall be the lesser of the DP rating shown on Sheet 1 of this approval or the DP rating shown in the glazed steel or fiberglass side hinged swing door or fixed sidelite approval being used.
5. The door panel and lite opening size shall not exceed the sizes shown in this approval or the glazed steel or fiberglass side hinged swing door or fixed sidelite approval being used.
6. This product has been tested in the door and/or sidelite panels as specified on Sheets 3 & 4 of this approval. Substitution into a similar product may be approved for use by the local Authority Having Jurisdiction. In all cases, the glazed steel or fiberglass door and/or sidelite used must possess a comparable current Florida Statewide product approval.

**TABLE OF CONTENTS**

SHEET #	DESCRIPTION
1	Typical elevations, design pressures and general notes
2	Lite frame & glazing details
3	Fiberglass door panels
4	Steel door panels

DESIGN PRESSURE RATING (PSF)*		
DOOR TYPE	POSITIVE	NEGATIVE
6'- 8" STEEL	+60.0	-60.0
6'- 8" FIBERGLASS	+60.0	-60.0

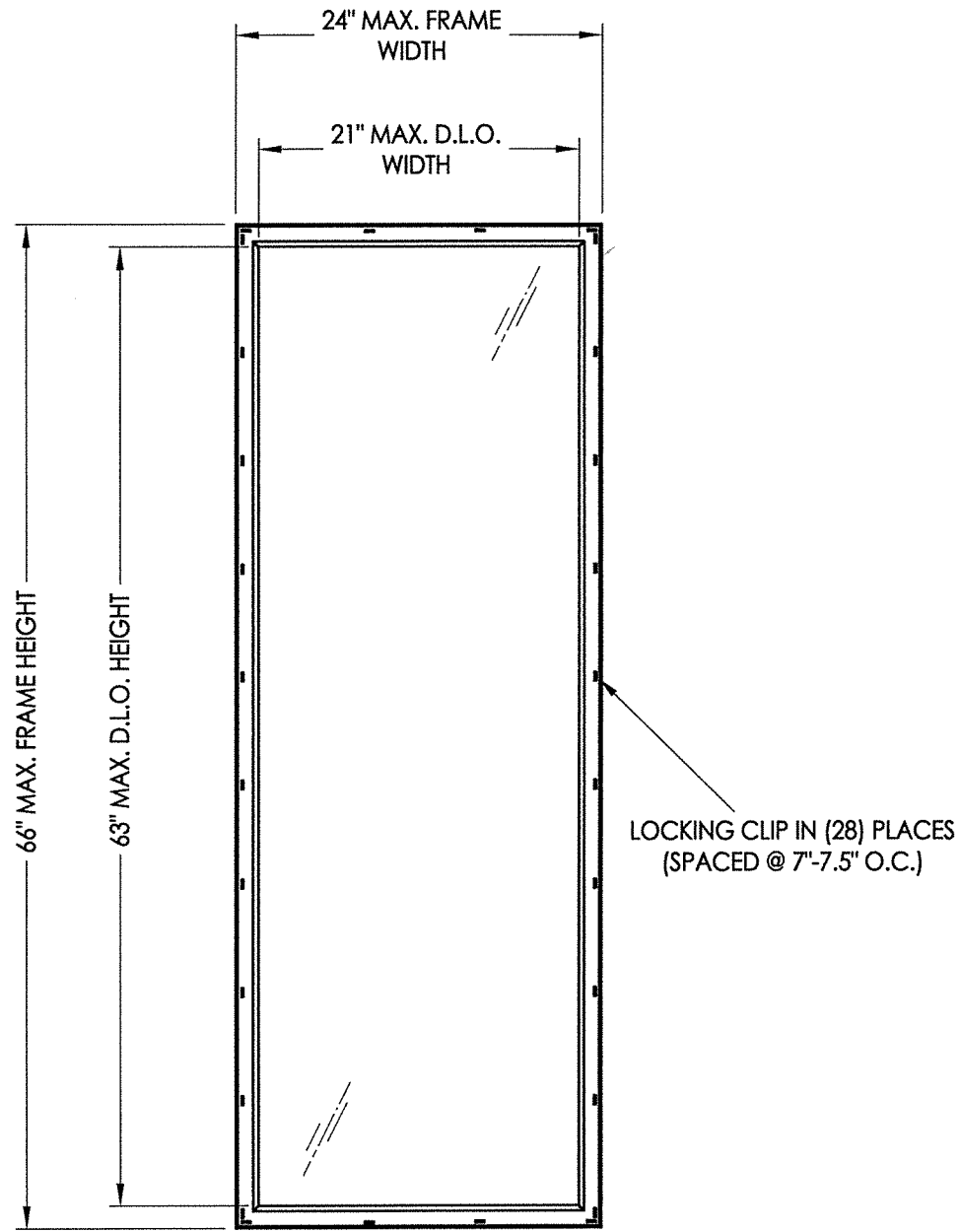
\*SEE SHEETS 3 & 4 FOR DOOR PANEL DESIGN PRESSURE RATING LIMITATIONS



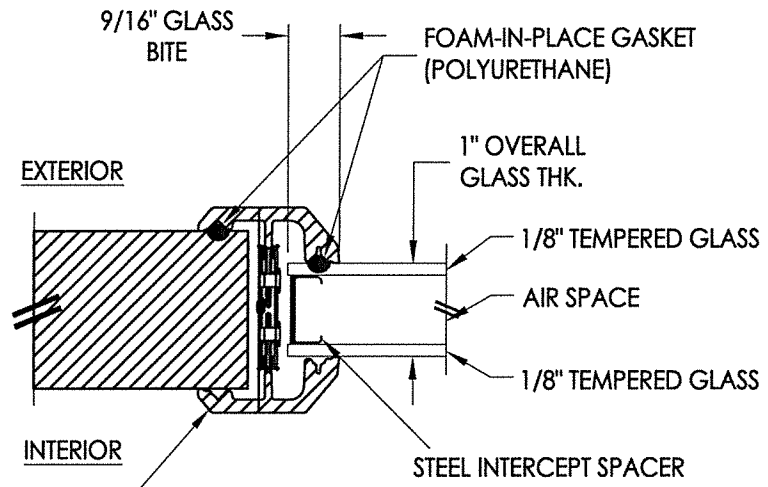
August 07, 2020  
 Documents Prepared By:  
 Lyndon F. Schmidt  
 P.E. No. 43409

PRODUCT:	ZEEL SYSTEM	
PART OR ASSEMBLY:	LITE FRAME SYSTEM	
TYPICAL ELEVATIONS, DESIGN PRESSURES & GENERAL NOTES		
NO.	DATE	REVISIONS
2	8/05/20	UPDATE TO 7th ED. (2020) FBC
1	10/8/19	REVISE LITE FRAME NAME
DAC		
LFS		
BY		
DATE:	4/02/19	
SCALE:	N.T.S.	
DWG. BY:	LFS	
CHK. BY:	RW	
DRAWING NO.:	FL-15260.18	
SHEET	1	OF 4

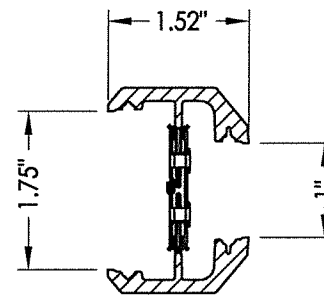
*RW*  
 BUILDING CONSULTANTS, INC.  
 P.O. Box 230, Vairico, FL 33595  
 Phone No.: 813.659.9197  
 FBPE Registry License No. 9813



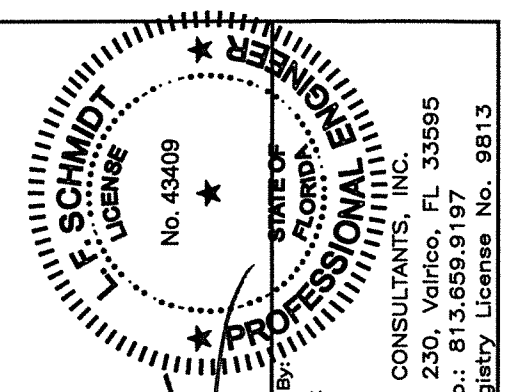
**"ZEEL" CLIP ASSEMBLED LITE FRAME SYSTEM**  
PC/ABS



**G1 GLAZING DETAIL**



**2A ZEEL LITE FRAME**  
CLIP ASSEMBLED FRAME  
PC/ABS

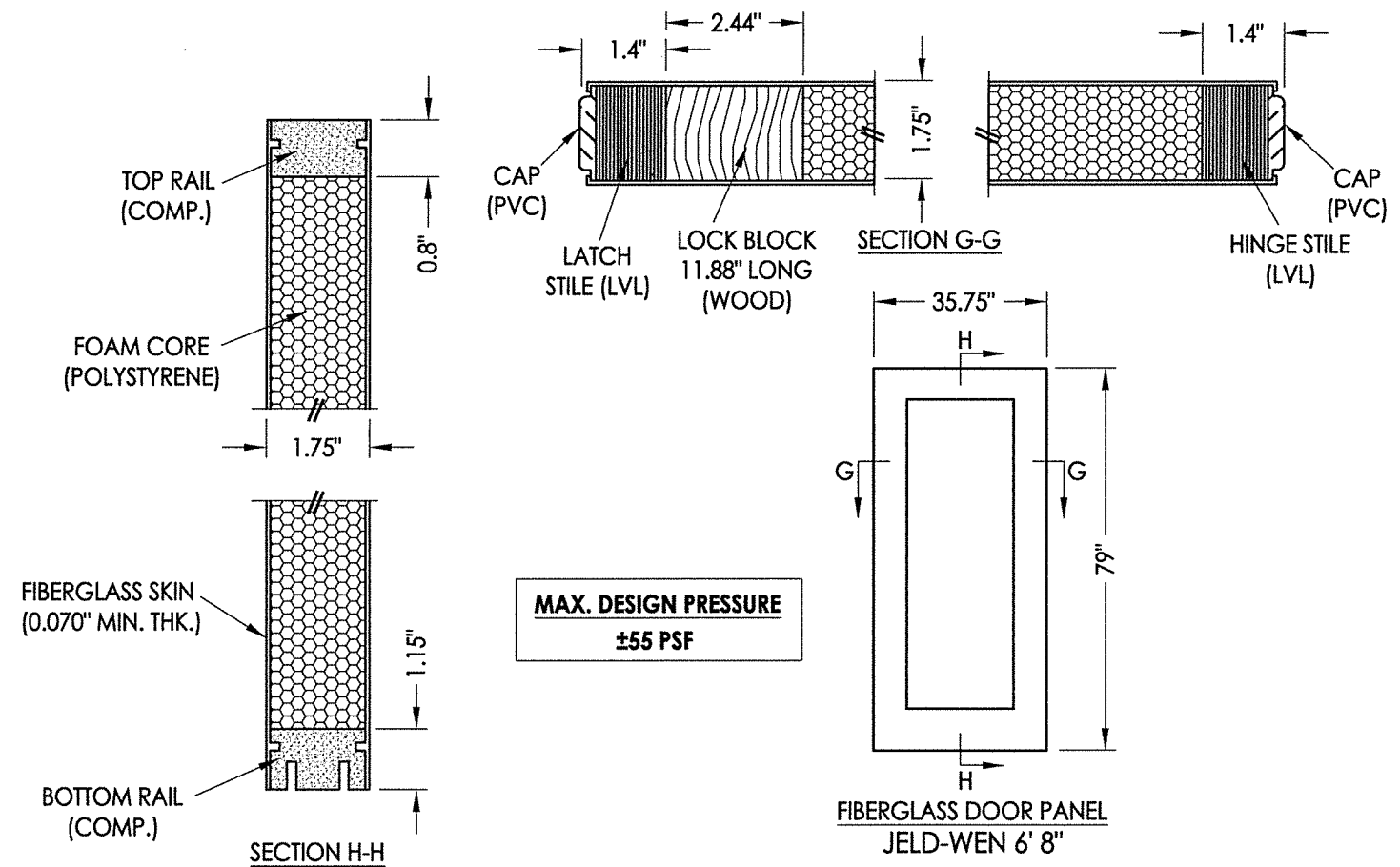
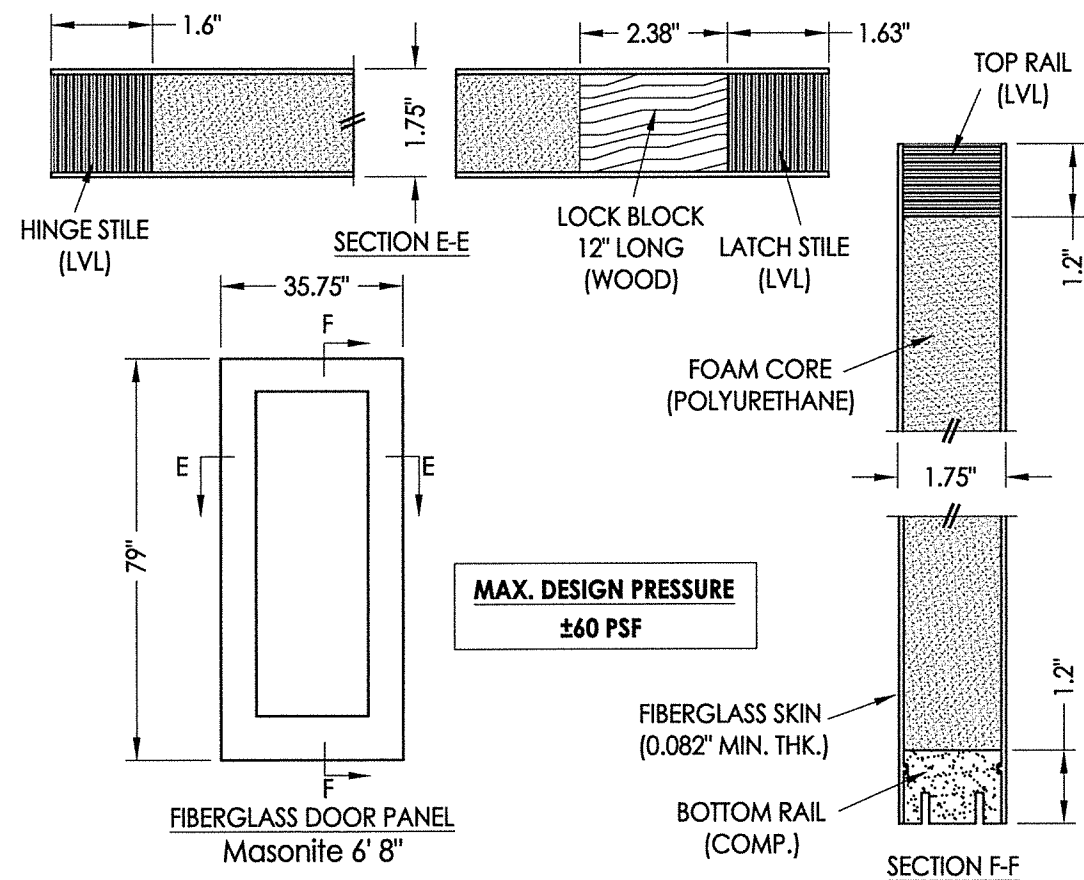
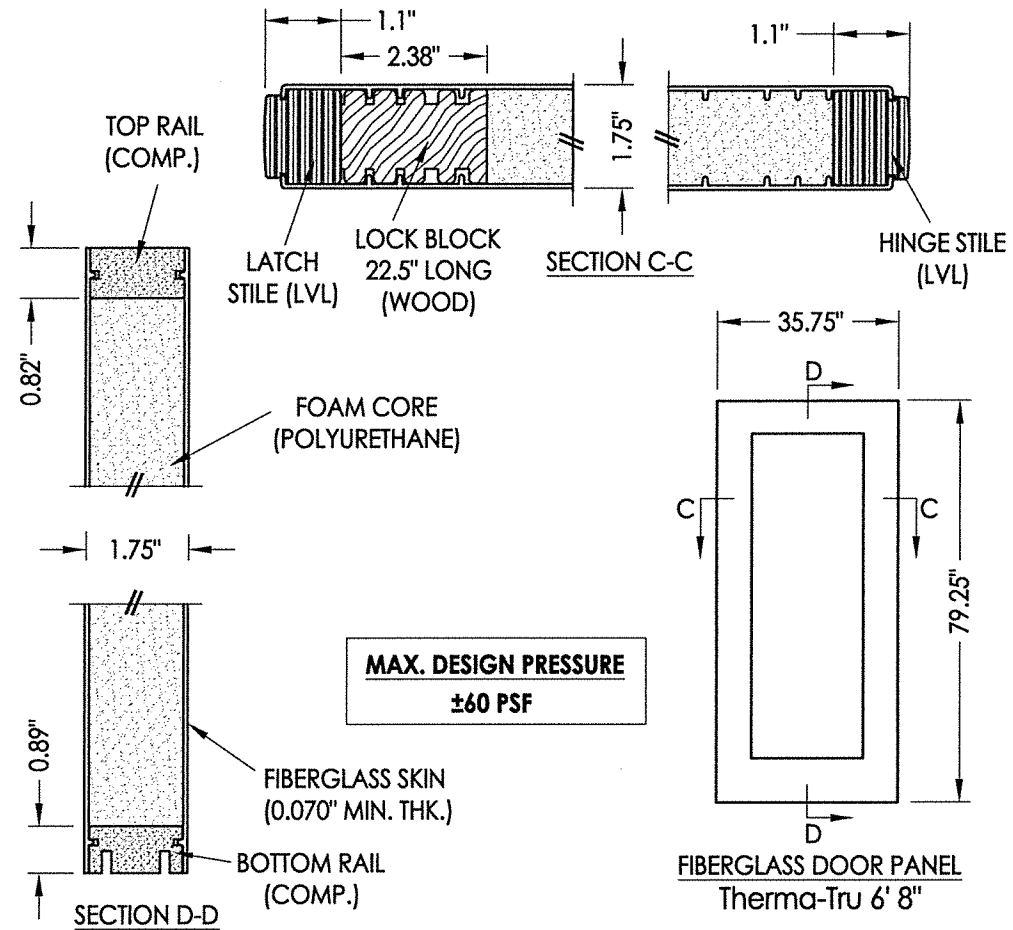
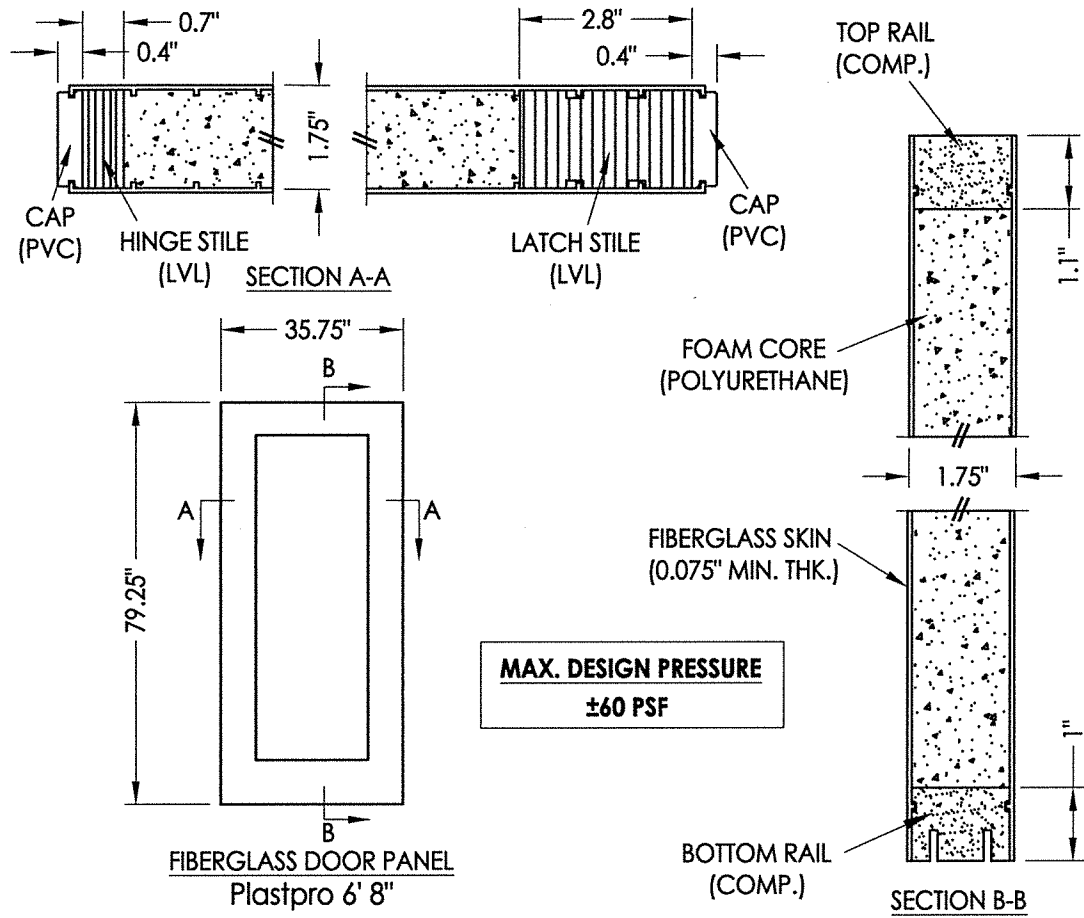


August 07, 2020

Documents Prepared By:  
Lyndon F. Schmidt  
P.E. No. 43409

**RW** BUILDING CONSULTANTS, INC.  
P.O. Box 230, Valrico, FL 33595  
Phone No.: 813.659.9197  
FBPE Registry License No. 9813

PRODUCT:		ZEEL LITE FRAME SYSTEM	
PART OR ASSEMBLY:		LITE FRAME & GLAZING DETAILS	
NO.	DATE	REVISIONS	
2	8/05/20	UPDATE TO 7th ED. (2020) FBC	DAC
1	10/8/19	REVISE LITE FRAME NAME	LFS
			BY
DATE:		4/02/19	
SCALE:		N.T.S.	
DWG. BY:		LFS	
CHK. BY:		RW	
DRAWING NO.:		FL-15260.18	
SHEET		2 OF 4	

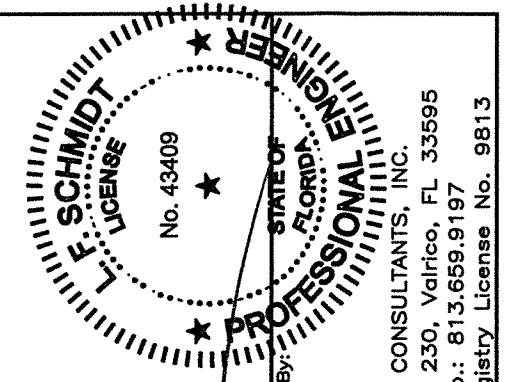
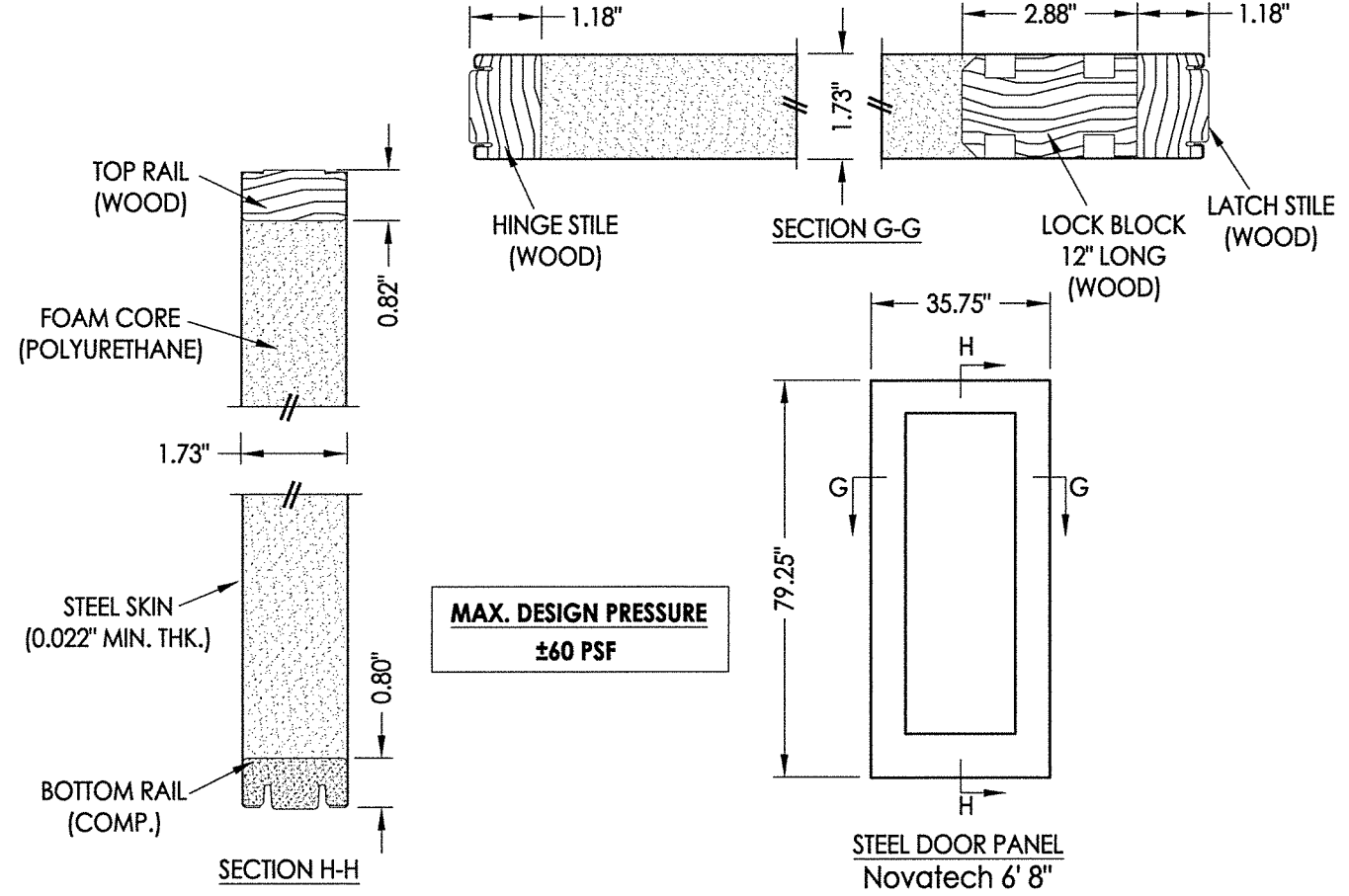
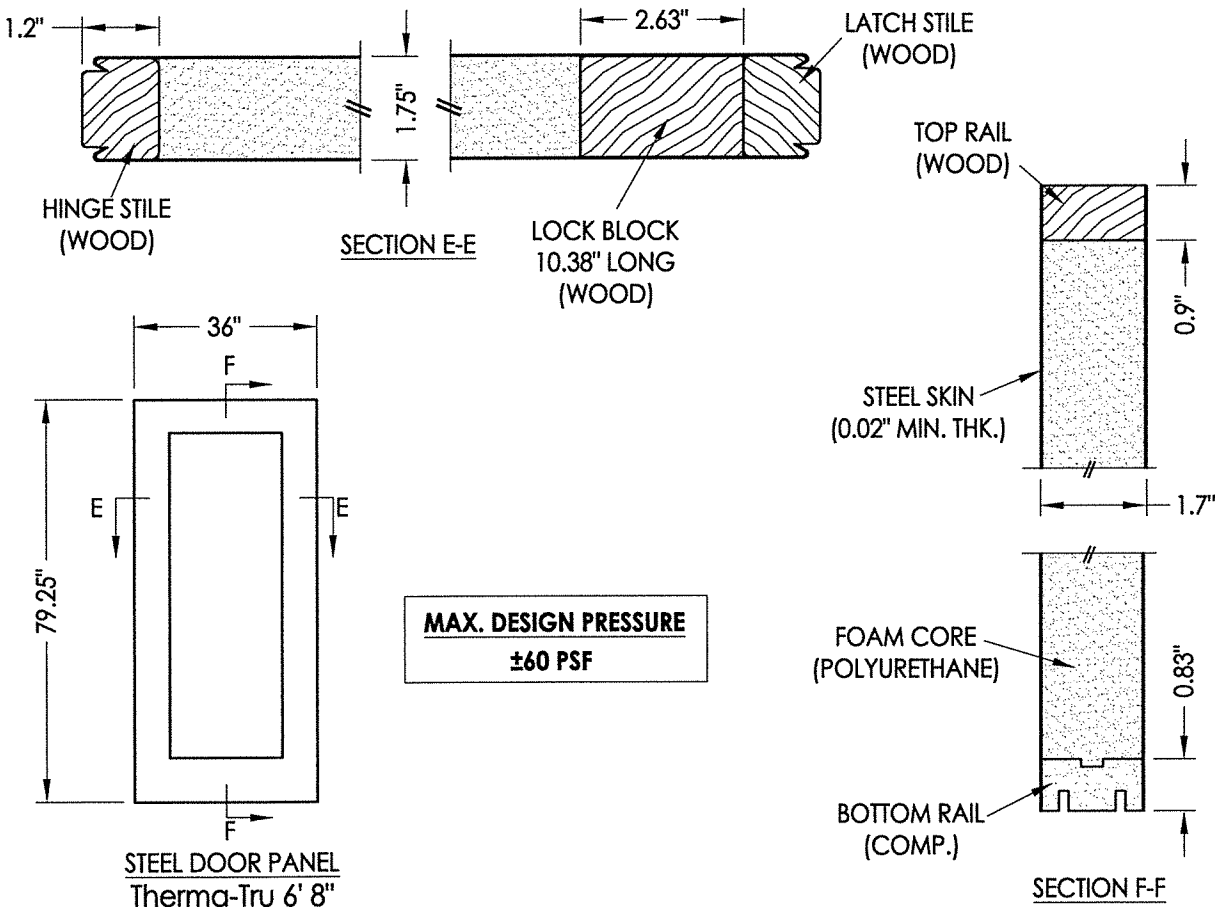
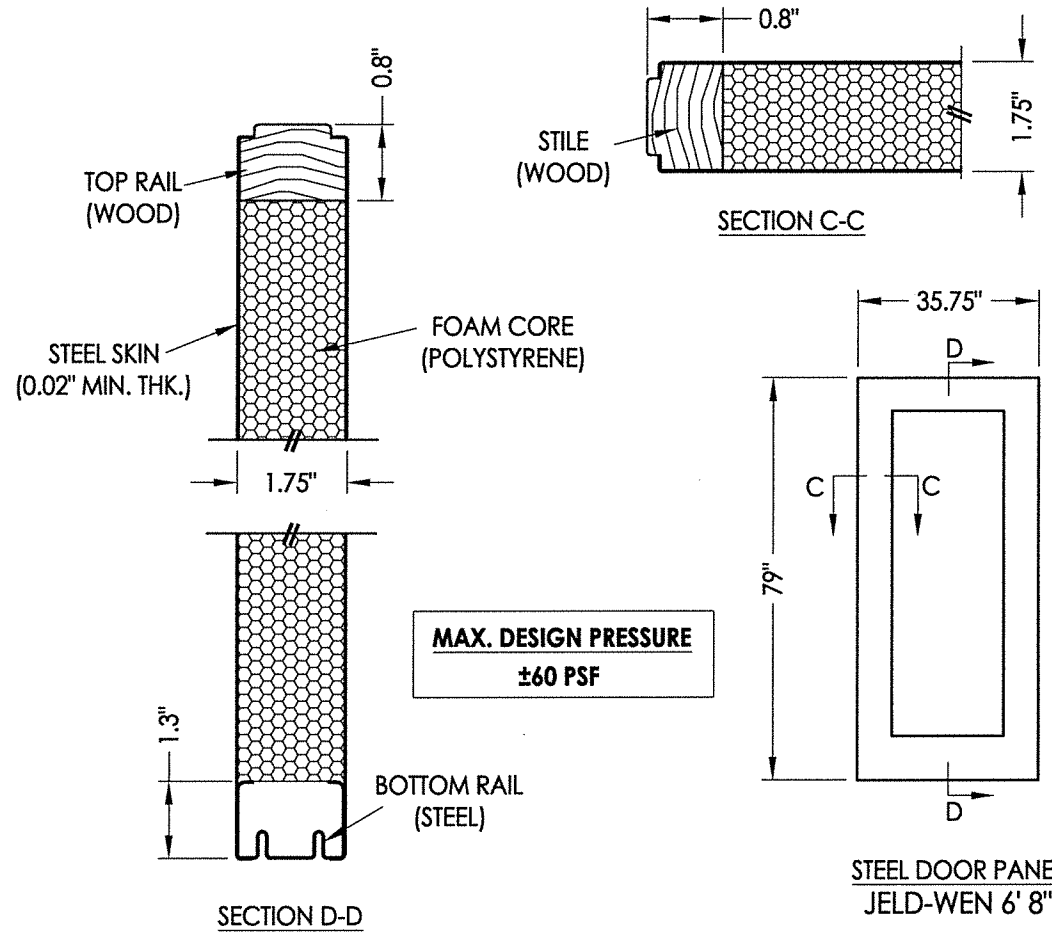
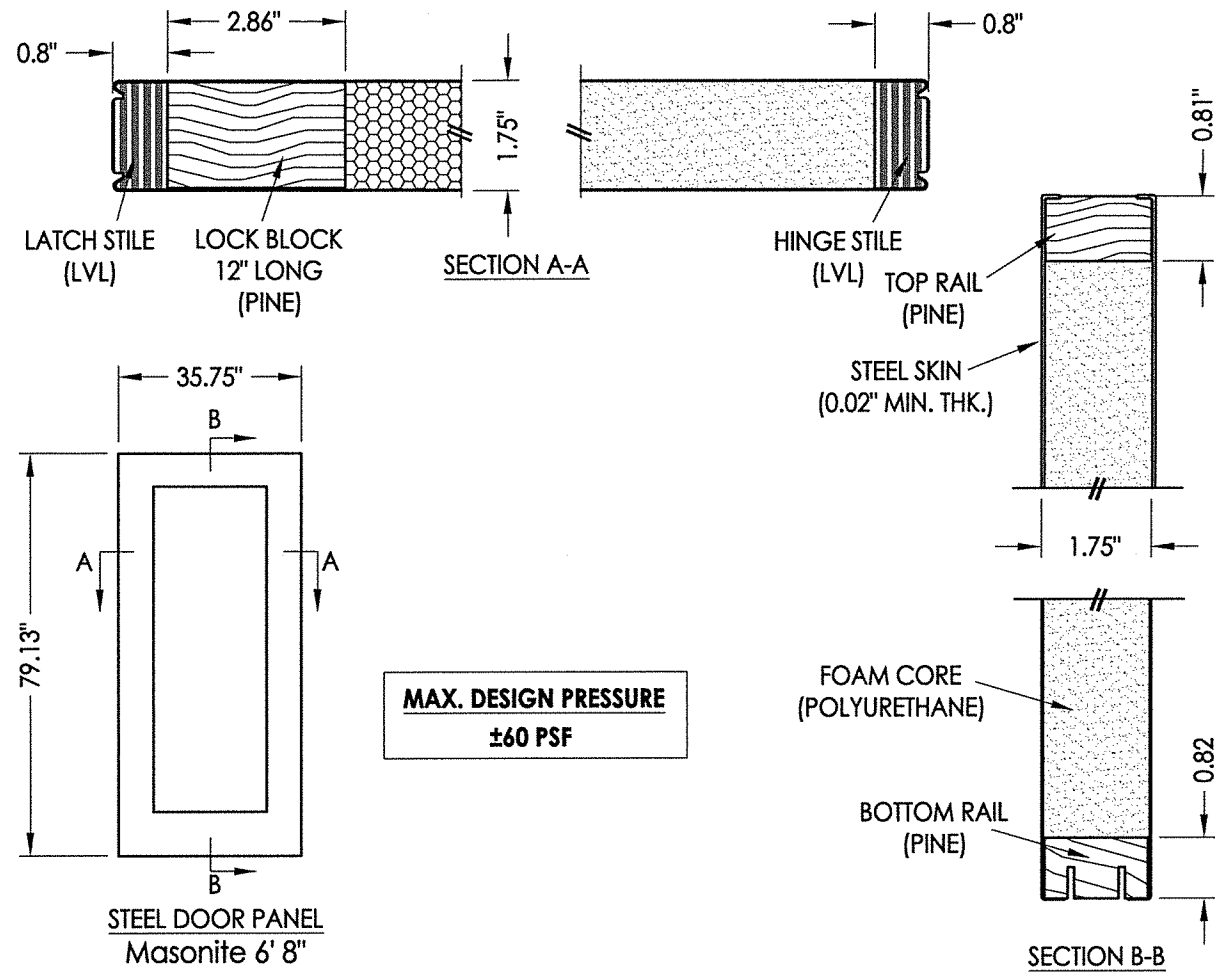


August 07, 2020  
 Documents Prepared By:  
 Lyndon F. Schmidt  
 P.E. No. 43409

**FLORIDA PROFESSIONAL ENGINEER**  
 F. SCHMIDT  
 LICENSE No. 43409

**RW**  
 BUILDING CONSULTANTS, INC.  
 P.O. Box 230, Valrico, FL 33595  
 Phone No.: 813.659.9197  
 FBPE Registry License No. 9813

PRODUCT:		ZEEL LITE FRAME SYSTEM	
PART OR ASSEMBLY:		FIBERGLASS DOOR PANELS	
NO.	DATE	REVISIONS	BY
2	8/05/20	UPDATE TO 7th ED. (2020)	FBC
1	10/8/19	REVISE LITE FRAME NAME	LFS
DATE: 4/02/19			
SCALE: N.T.S.			
DWG. BY: LFS			
CHK. BY: RW			
DRAWING NO.: FL-15260.18			
SHEET 3 OF 4			



*LFS*

August 07, 2020  
Documents Prepared By:  
Lyndon F. Schmidt  
P.E. No. 43409

*RW*  
BUILDING CONSULTANTS, INC.  
P.O. Box 230, Valrico, FL 33595  
Phone No.: 813.659.9197  
FBPE Registry License No. 9813

PRODUCT:	ZEEL LITE FRAME SYSTEM
PART OR ASSEMBLY:	STEEL DOOR PANELS
DATE:	4/02/19
SCALE:	N.T.S.
DWG. BY:	LFS
CHK. BY:	RW
DRAWING NO.:	FL-15260.18
SHEET	4 OF 4

NO.	DATE	REVISIONS
2	8/05/20	UPDATE TO 7th ED. (2020) FBC
1	10/8/19	REVISE LITE FRAME NAME
		DAC
		LFS
		BY